

Intellian

v150NX

1.5M KU TO KA-BAND CONVERTIBLE
Maritime VSAT Terminal



FEATURES

Ku-TO Ka- DUAL BAND READY

The v150NX is the only world's first Ku- to Ka-band convertible antenna that can be simply converted from Ku- to Ka-band. The reflector and radome are frequency tuned for both satellite bands, ensuring maximum performance in both bands.

GEO/MEO/LEO TRACKING CAPABILITY

The v150NX is ready for the future. Designed with the world's most accurate satellite tracking performance with our proven tracking algorithm covering GSO and NGSO constellations.

FIBER OPTIC CONNECTION

Fiber optic solution is provided using our extensive fiber optical experience, resulting in minimal signal loss regardless of cable length. Providing a more efficient cost-effective solution on larger installations.

HIGH-POWER BUC OPTIONS

Intellian's highly efficient design delivers the best RF performance, enabling higher data rates and global operation. Combined with BUC power options up to 200W for maximum throughput. The v150NX is the most powerful antenna system available in single crate for the oil & gas industry, and cruise markets.

v150NX 1.5m Ku to Ka-band Convertible VSAT Terminal

TECHNICAL SPECIFICATIONS

ABOVE DECK UNIT

Radome Height	197.0 cm / 77.6"
Radome Height with A/C Frame	262.2 cm / 103.2"
Radome Diameter	190.0 cm / 74.8"
Reflector Diameter	150.0 cm / 59.0"
Weight	270 kg
Weight with A/C Frame	520 kg
Platform	3-axis / Azimuth, Elevation, Cross-level
Azimuth Range	Unlimited
Elevation Range	-15° to +110°
Cross-level Range	Up to ± 35°
Stabilization Accuracy	0.2° peak mis-pointing @ max ship motion condition
Motor Brake System	Dynamic Motor Brake
Tx Frequency	13.75 ~ 14.5 GHz Ku-band
Tx Gain	45.0 dBi @ 14.25GHz
Rx Frequency	10.7 ~ 12.75 GHz Ku-band
Rx Gain	43.5 dBi @ 11.7GHz
G/T	22.5 dB/K @ 12.75GHz (Clear Sky, 30° Elevation)
BUC Power	16W, 40W, 100W, 200W
LNB	Intellian PLL LNB
Polarization	Linear, Cross & Co-pol
Antenna Cable	Single 50 ohm coax cable for Rx, Tx, FSK and Power from ACU to ADU
Power Requirement for BUC	100 ~ 240 VAC, 50~60Hz

ANTENNA CONTROL UNIT

Dimensions (WxDxH)	43.1 cm x 35.0 cm x 4.4 cm / 17" x 13.8" x 1.7"
Weight	5.2 kg / 11.5 lbs
Display	256 x 64 Graphic OLED
Gyrocompass Interface	NMEA2000 / NMEA0183
Mediator Interface	Yes (Emedbed in ACU, Primary / Secondary control on AptusNX)
Modem Interface	Ethernet port / RS-232C, -422C / I/O Console
Modem Protocol	iDirect, Comtech, SatLink, Hughes, GILAT, Newtec
Remote Management	Yes
Wi-Fi Operation	Yes (w/ Wi-Fi Dongle)
Management Port	Yes
Intellian LAN Port	Yes
Power Requirement	100~240 V AC, 50~60 Hz, 4A

Global HQ

Innovation Center
Intellian Technologies, Inc
T +82 31 379 1000 F +82 31 377 6185

APAC

Seoul
Intellian Technologies, Inc.
T +82 2 511 2244 F +82 2 511 2235

Americas

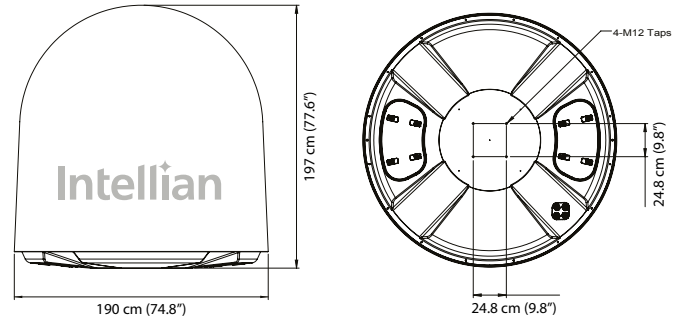
Irvine
Intellian Technologies USA, Inc.
T +1 949 727 4498 F +1 949 271 4183
Toll Free +1 888-201-9223

EMEA

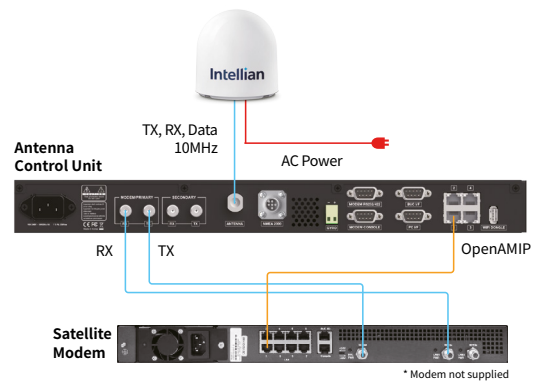
Rotterdam
Intellian B.V.
T +31 1 0820 8655 F +31 1 0820 8656

SYSTEM DIMENSION

ADU



SYSTEM DIAGRAM



SYSTEM DIAGRAM (DUAL ANTENNA)

